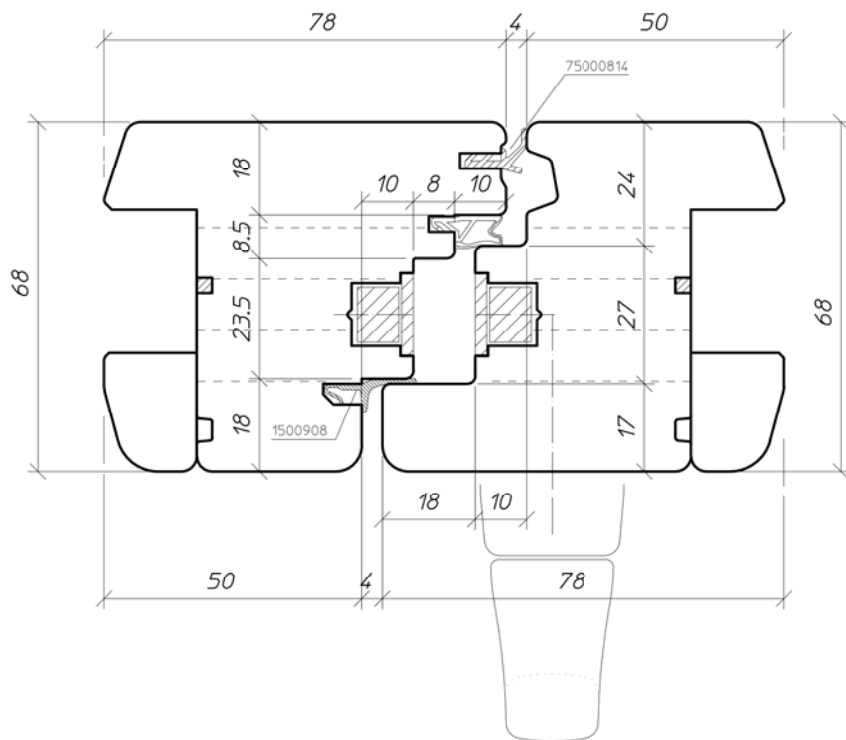
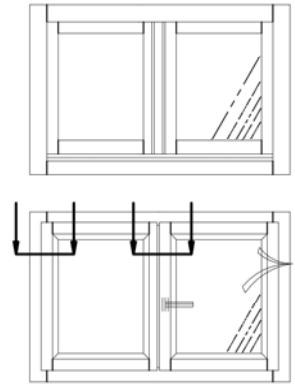
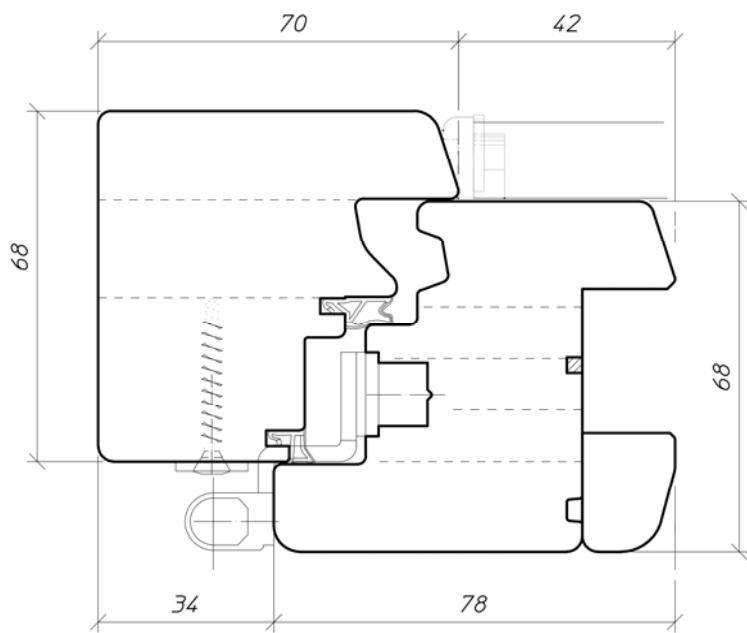


REKORD
HIGH TECHNOLOGY TOOLING

DATA: 11/03/2011

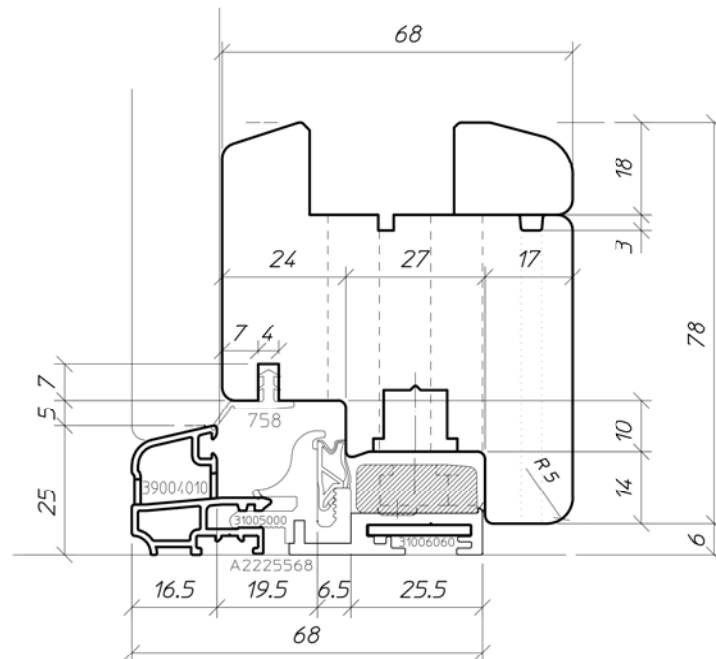
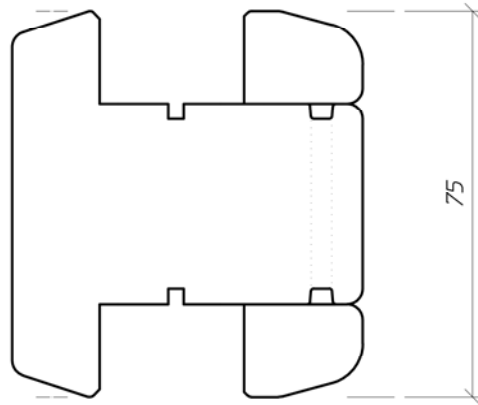
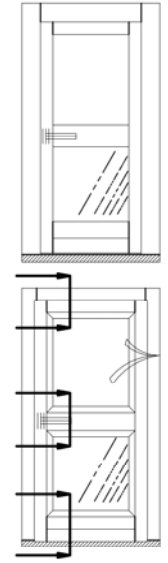
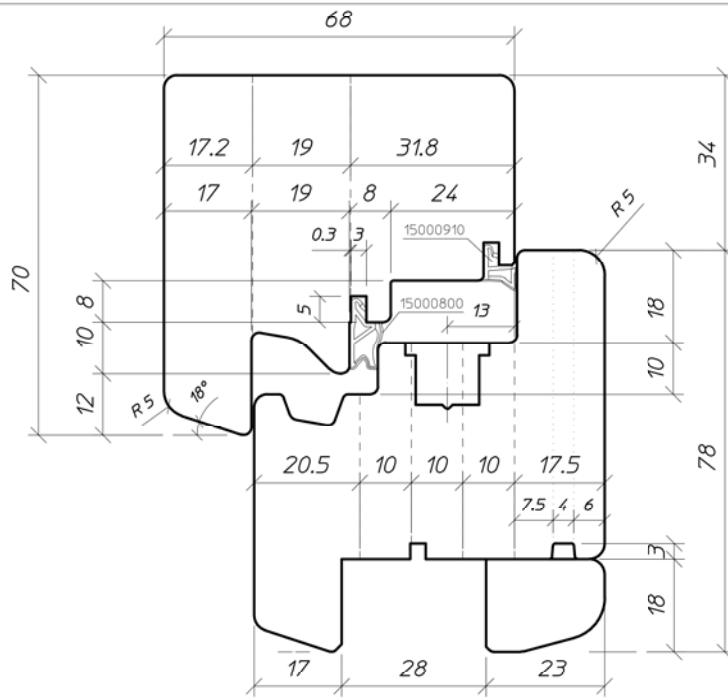
02411 SERIE_TF 0024459 00A/1

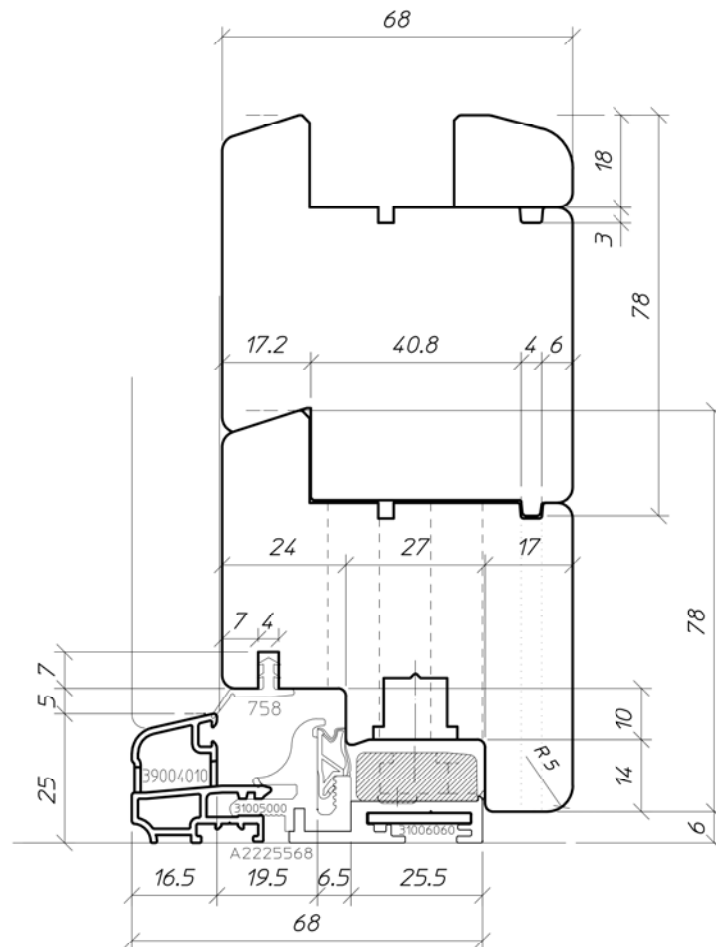
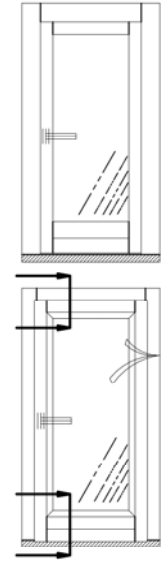
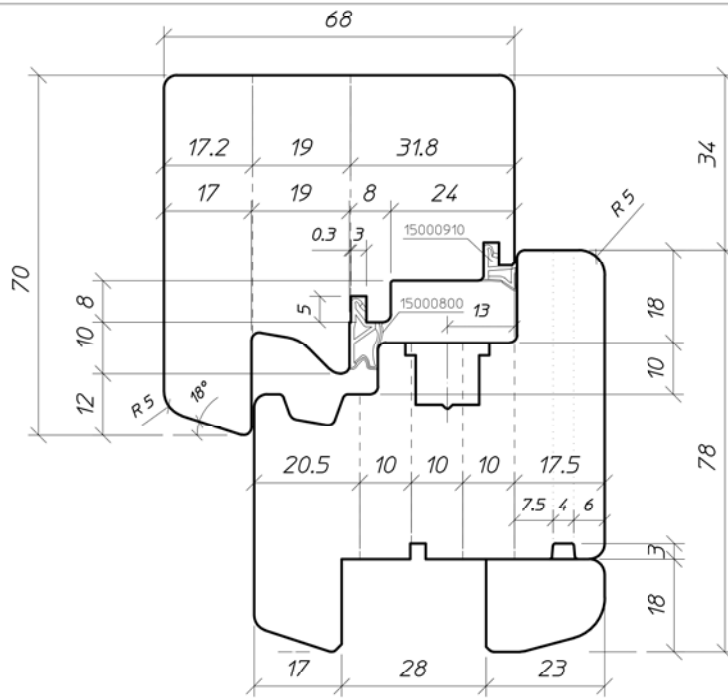


REKORD[®]
HIGH TECHNOLOGY TOOLING

DATA: 11/03/2011

02411 SERIE_TF 0024459 00A/2

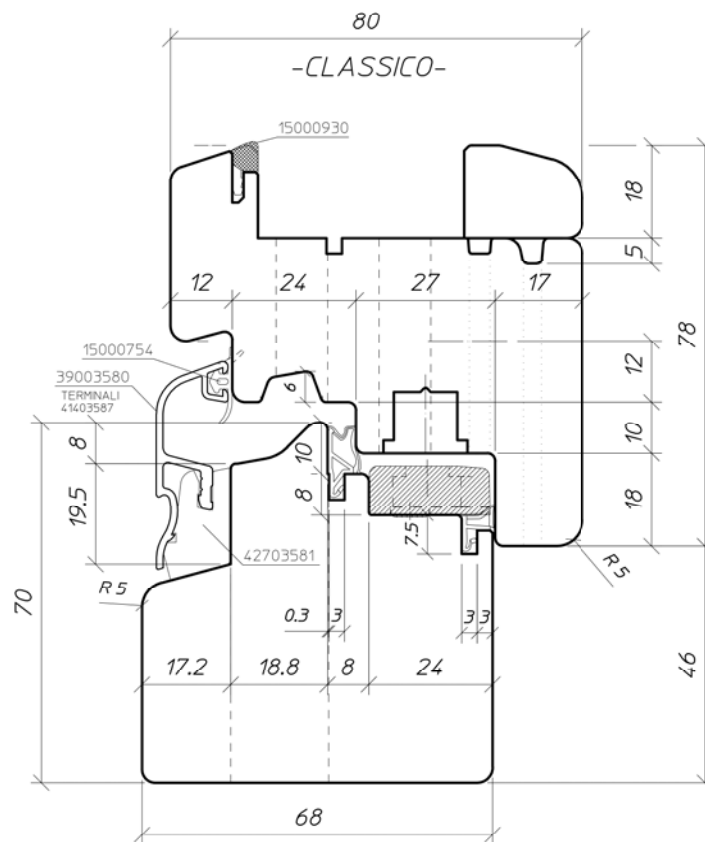
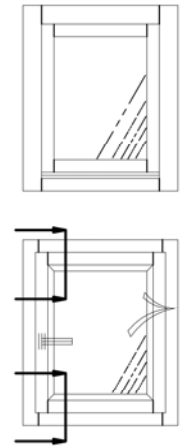
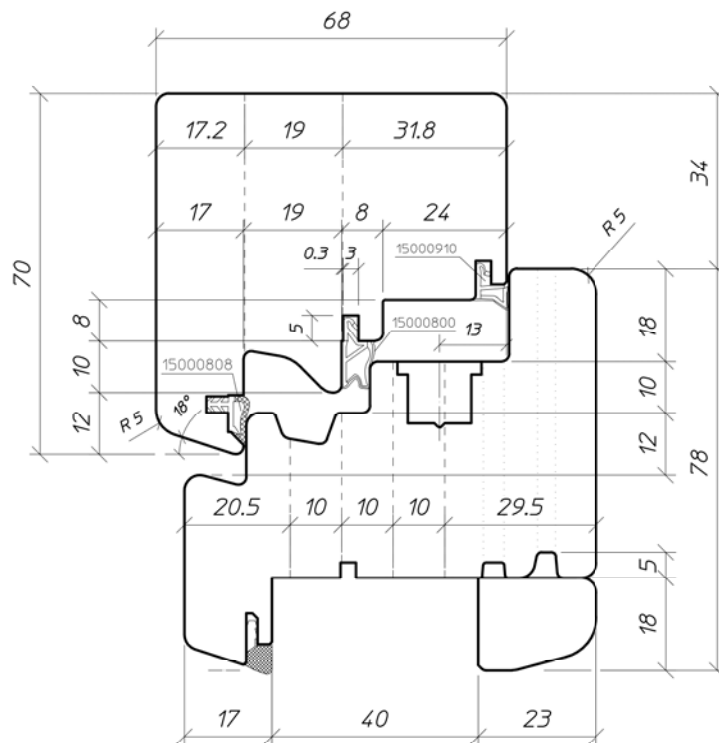


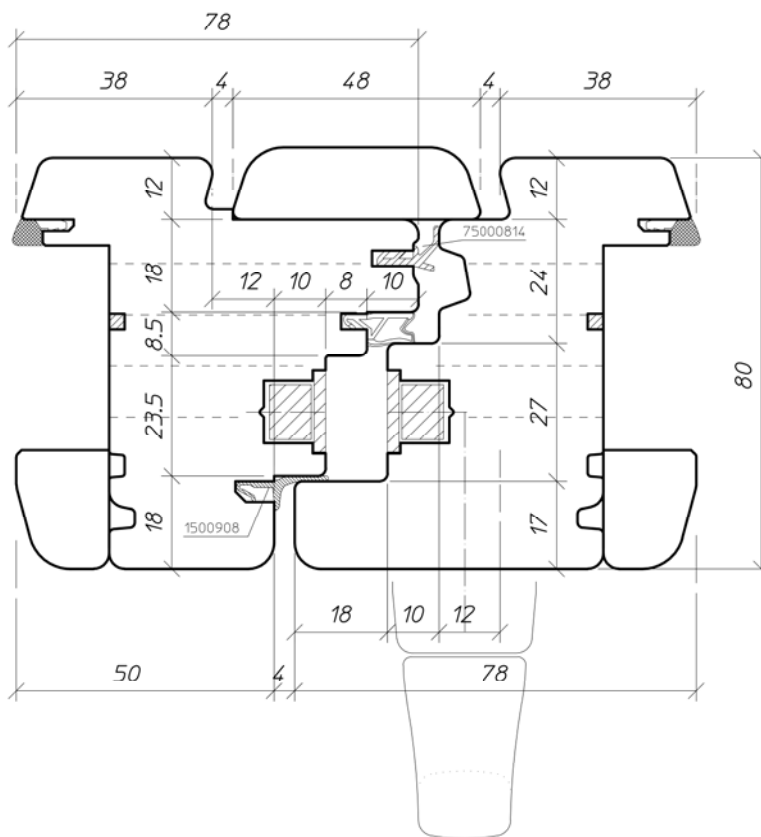
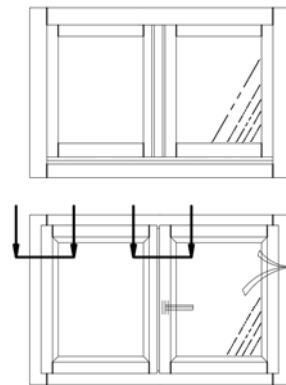
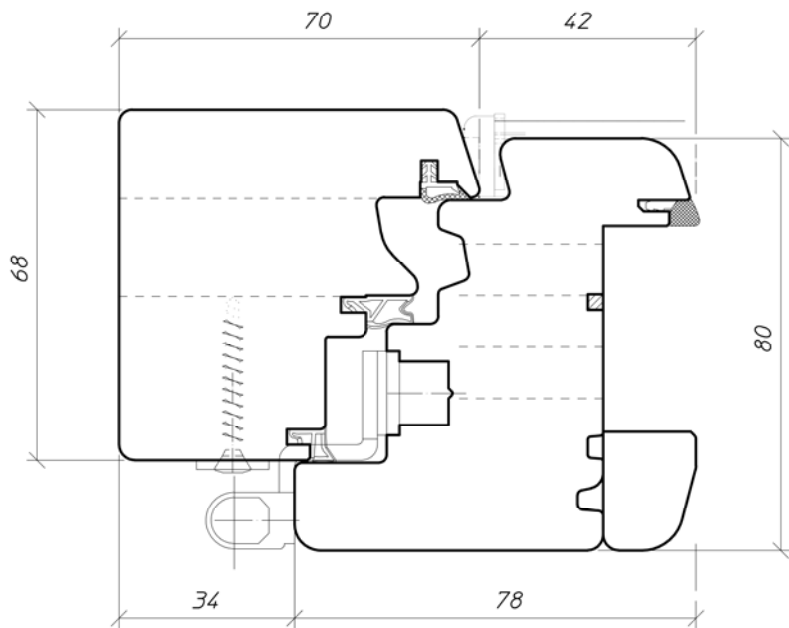


REKORD
HIGH TECHNOLOGY TOOLING

DATA: 11/03/2011

02411 SERIE_TF 0024459 00A/4

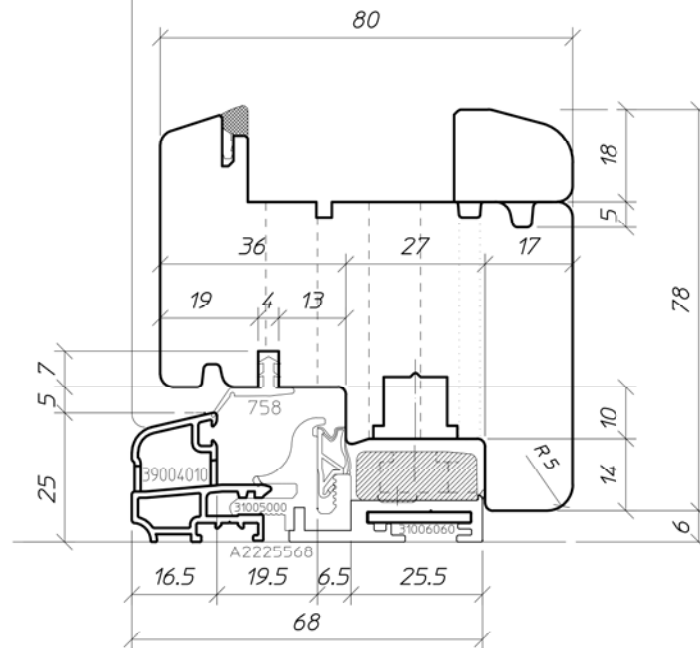
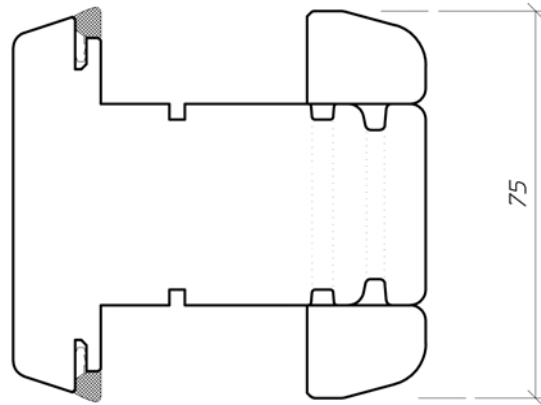
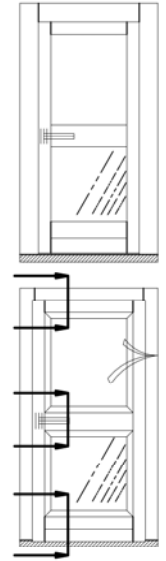
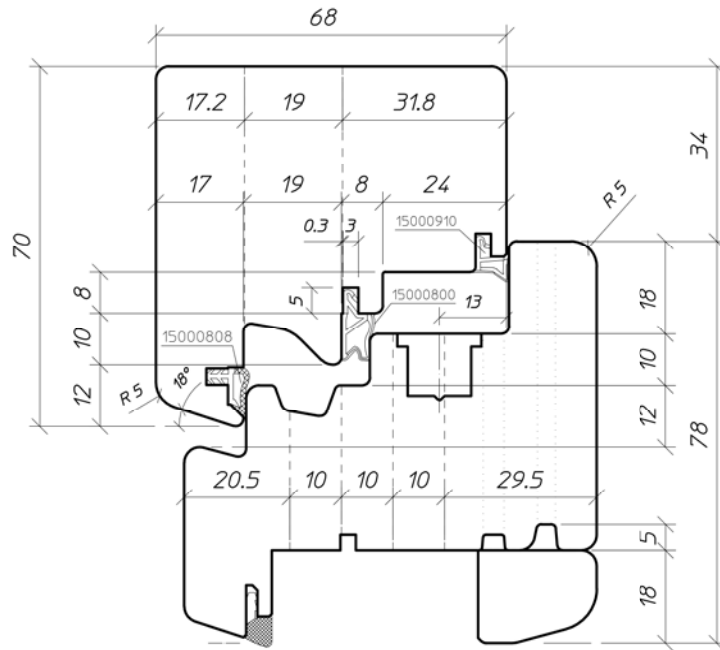




REKORD[®]
HIGH TECHNOLOGY TOOLING

DATA: 11/03/2011

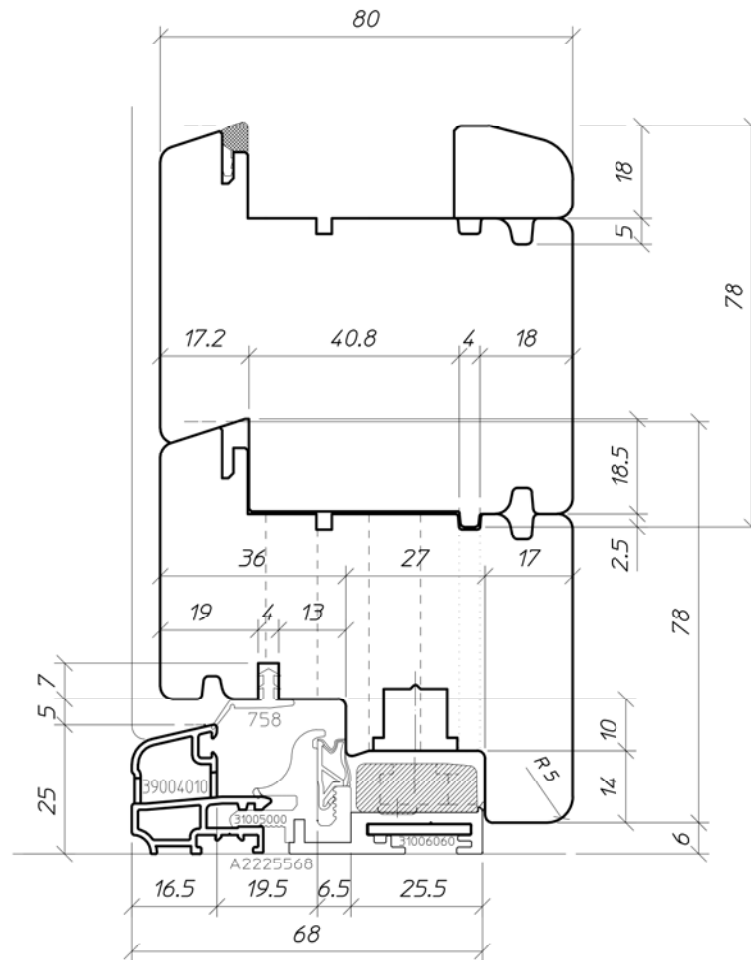
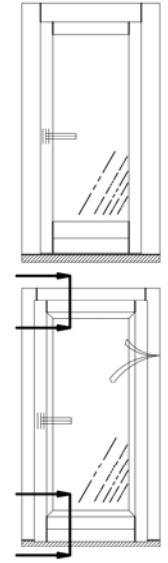
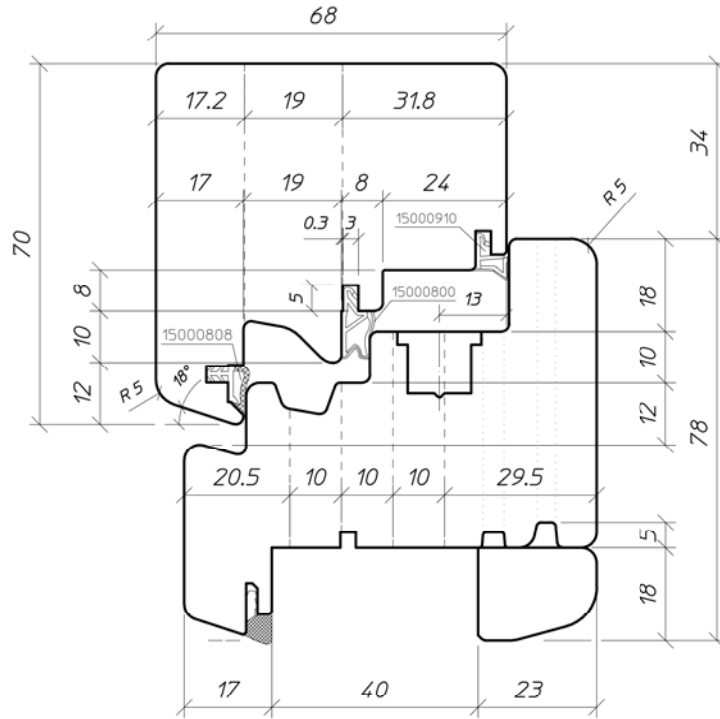
02411 SERIE_TF 0024459 00A/6



REKORD[®]
HIGH TECHNOLOGY TOOLING

DATA: 11/03/2011

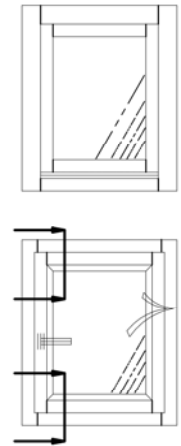
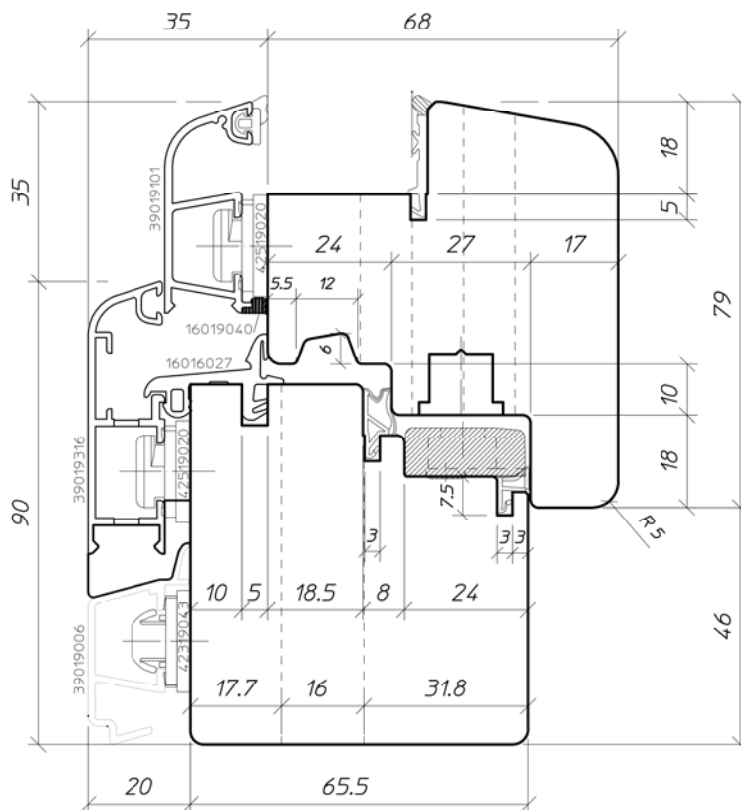
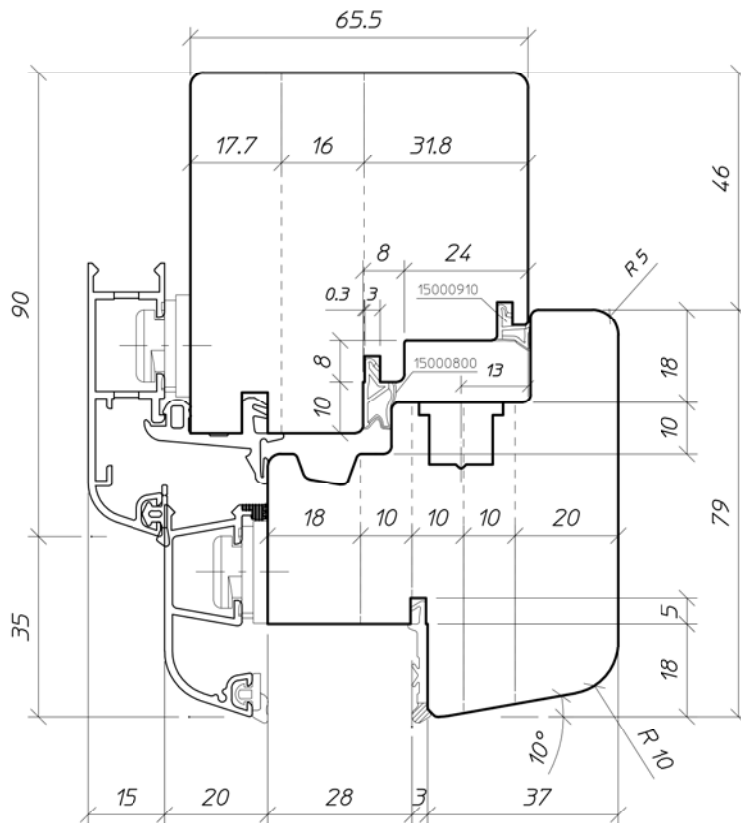
02411 SERIE_TF 0024459 00A/7

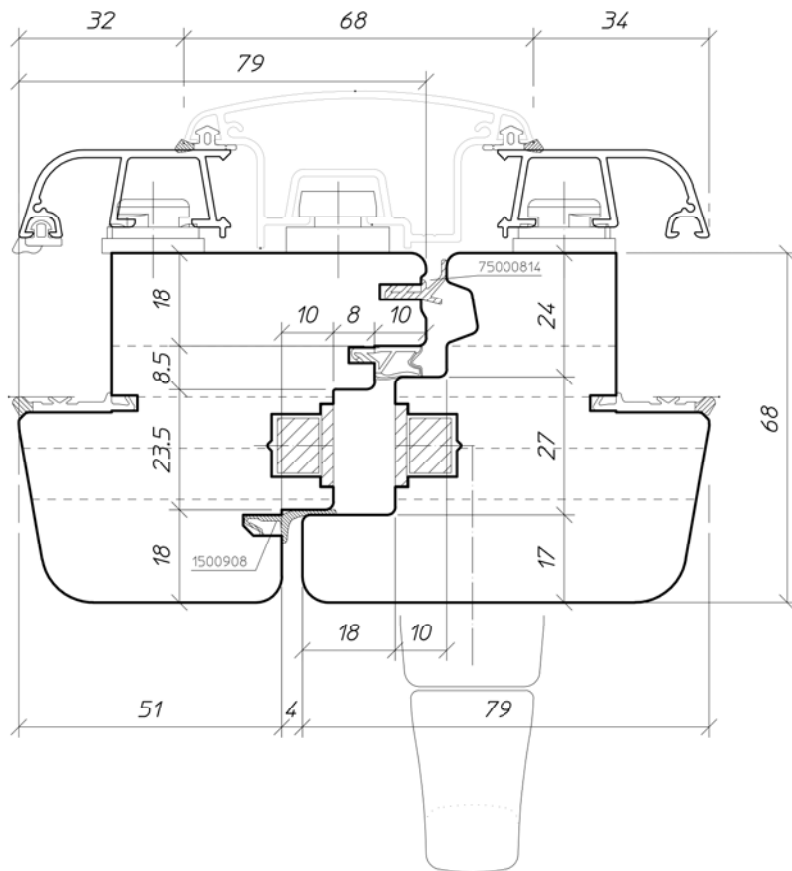
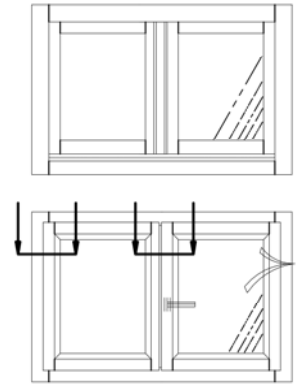
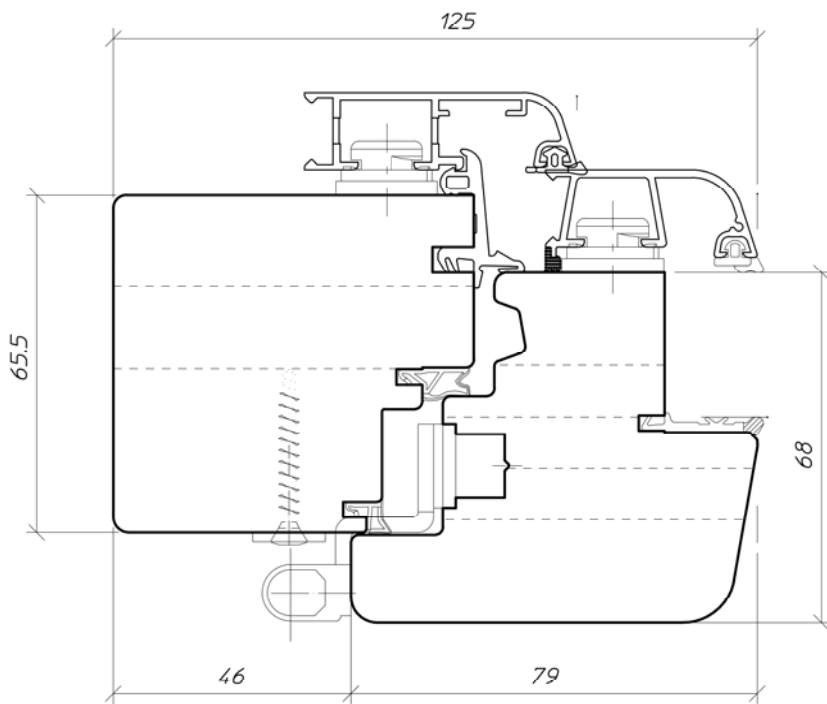


REKORD
HIGH TECHNOLOGY TOOLING

DATA: 11/03/2011

02411 SERIE_TF 0024459 00A/8





REKORD[®]
HIGH TECHNOLOGY TOOLING

DATA: 11/03/2011

02411 SERIE_TF 0024459 00B/2

